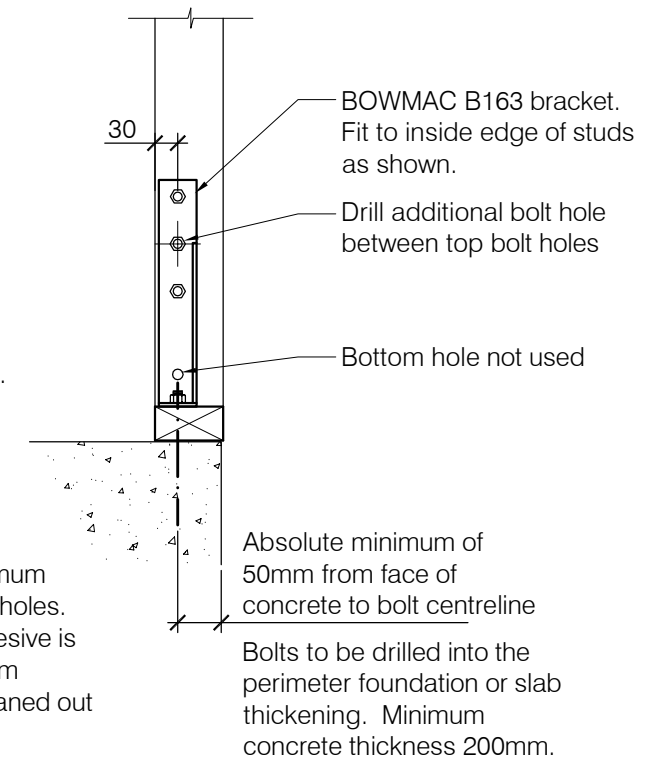
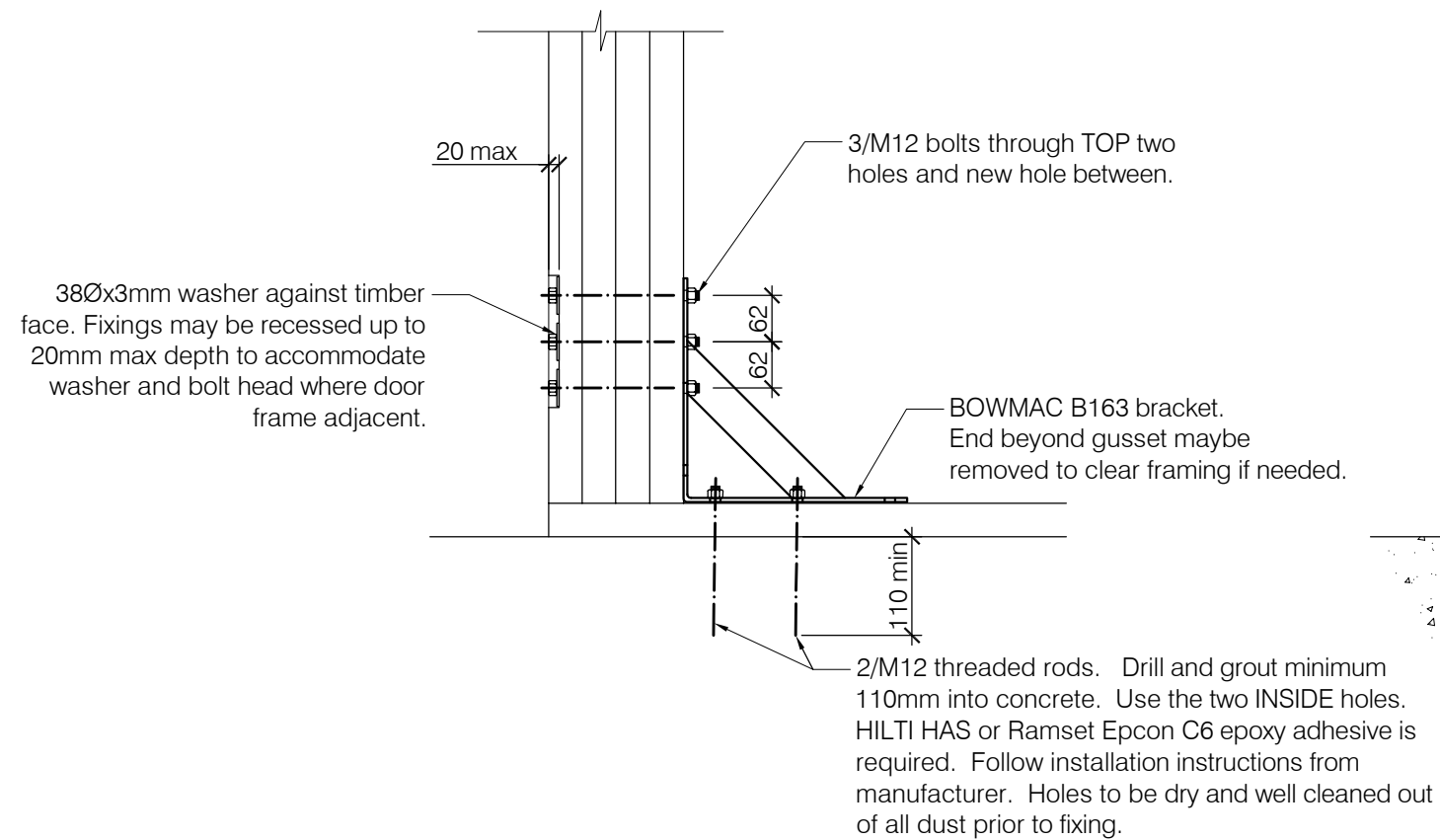


**ALTERNATIVE BASE FIXING FOR FRAMING BOTH SIDES OF STUDS**



**BASE FIXING FOR FRAMING TO ONE SIDE (eg at door frame)**