

Selection Charts

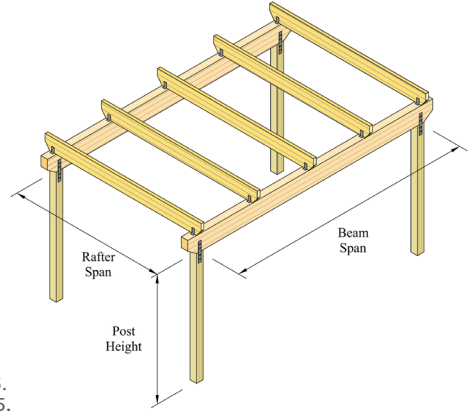


Table 1

PL8 Prolam® Pergola Beams

Tables are for wind zones up to High.
 For Very High wind zone, multiply the maximum beam spans by 0.85.
 For Extra High wind zone, multiply the maximum beam spans by 0.75.

| Rafter Span (m) | | 1.2 | 1.8 | 2.4 | 3.0 | 3.6 | 4.2 | 4.8 | 5.4 | 6.0 | |
|-----------------|----------------|-----------------------|------|------|------|------|------|------|------|------|------|
| Beam Size | | Maximum Beam Span (m) | | | | | | | | | |
| PL8 | PLVL8H3-15050 | 140 x 42mm | 2.6 | 2.5 | 2.4 | 2.3 | 2.2 | 2.1 | 2.1 | 2.0 | 2.0 |
| | PLVL8H3-20050 | 190 x 42mm | 4.1 | 3.9 | 3.7 | 3.5 | 3.4 | 3.3 | 3.1 | 2.9 | 2.7 |
| | PLVL8H3-25050 | 240 x 42mm | 5.6 | 5.2 | 4.9 | 4.6 | 4.3 | 3.9 | 3.7 | 3.4 | 3.3 |
| | PLVL8H3-30050 | 290 x 42mm | 6.0* | 6.0* | 5.8 | 5.2 | 4.7 | 4.3 | 4.0 | 3.8 | 3.6 |
| | PLVL8H3-150100 | 140 x 88mm | 4.2 | 3.9 | 3.6 | 3.4 | 3.2 | 3.1 | 2.9 | 2.8 | 2.8 |
| | PLVL8H3-200100 | 190 x 88mm | 5.6 | 5.1 | 4.8 | 4.5 | 4.3 | 4.1 | 4.0 | 3.8 | 3.7 |
| | PLVL8H3-250100 | 240 x 88mm | 6.0* | 6.0* | 5.9 | 5.6 | 5.4 | 5.2 | 5.0 | 4.8 | 4.7 |
| | PLVL8H3-300100 | 290 x 88mm | 6.0* | 6.0* | 6.0* | 6.0* | 6.0* | 6.0* | 6.0* | 5.8 | 5.6 |
| | PLVL8H3-150125 | 140 x 112mm | 4.5 | 4.1 | 3.8 | 3.6 | 3.4 | 3.3 | 3.2 | 3.1 | 3.0 |
| | PLVL8H3-200125 | 190 x 112mm | 5.8 | 5.4 | 5.1 | 4.8 | 4.6 | 4.4 | 4.3 | 4.1 | 4.0 |
| | PLVL8H3-250125 | 240 x 112mm | 6.0* | 6.0* | 6.0* | 6.0* | 5.7 | 5.5 | 5.3 | 5.2 | 5.0 |
| | PLVL8H3-300125 | 290 x 112mm | 6.0* | 6.0* | 6.0* | 6.0* | 6.0* | 6.0* | 6.0* | 6.0* | 6.0* |
| | PLVL8H3-150150 | 140 x 135mm | 4.6 | 4.3 | 4.0 | 3.8 | 3.6 | 3.5 | 3.3 | 3.2 | 3.1 |
| | PLVL8H3-200150 | 190 x 135mm | 6.0* | 5.6 | 5.3 | 5.0 | 4.8 | 4.6 | 4.5 | 4.3 | 4.2 |
| | PLVL8H3-250150 | 240 x 135mm | 6.0* | 6.0* | 6.0* | 6.0* | 6.0* | 5.8 | 5.6 | 5.4 | 5.3 |
| | PLVL8H3-300150 | 290 x 135mm | 6.0* | 6.0* | 6.0* | 6.0* | 6.0* | 6.0* | 6.0* | 6.0* | 6.0* |

*The beam lengths have been limited to a maximum of 6m.

These span tables apply only to Prolam products

Selection Charts

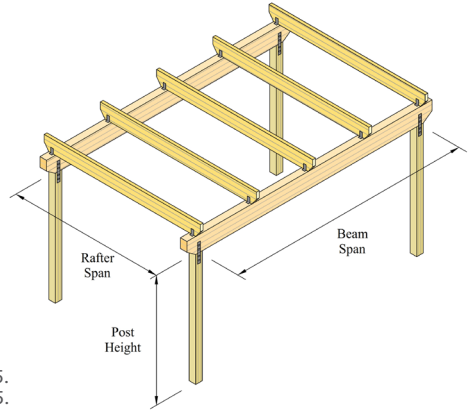


Table 2

PL12 Prolam® Pergola Beams

Tables are for wind zones up to High.
 For Very High wind zone, multiply the maximum beam spans by 0.85.
 For ExtraHigh wind zone, multiply the maximum beam spans by 0.75.

| Rafter Span (m) | | 1.2 | 1.8 | 2.4 | 3.0 | 3.6 | 4.2 | 4.8 | 5.4 | 6.0 |
|-----------------|--------------------------------|-----------------------|------|------|------|------|------|------|------|------|
| Beam Size | | Maximum Beam Span (m) | | | | | | | | |
| PL12 | PLVL12H3-15050 140 x 42mm | 3.3 | 3.1 | 3.0 | 2.9 | 2.8 | 2.7 | 2.6 | 2.5 | 2.3 |
| | PLVL12H3-20050 190 x 42mm | 5.2 | 4.8 | 4.4 | 4.2 | 3.9 | 3.8 | 3.6 | 3.3 | 3.2 |
| | PLVL12H3-25050 240 x 42mm | 6.0* | 6.0* | 5.6 | 5.2 | 4.9 | 4.5 | 4.2 | 4.0 | 3.8 |
| | PLVL12H3-30050 290 x 42mm | 6.0* | 6.0* | 6.0* | 6.0* | 5.4 | 5.0 | 4.6 | 4.4 | 4.1 |
| | PLVL12H3-150100 140 x 88mm | 4.8 | 4.4 | 4.1 | 3.8 | 3.6 | 3.5 | 3.3 | 3.2 | 3.1 |
| | PLVL12H3-200100 190 x 88mm | 6.0* | 5.8 | 5.4 | 5.1 | 4.9 | 4.7 | 4.5 | 4.4 | 4.2 |
| | PLVL12H3-250100 240 x 88mm | 6.0* | 6.0* | 6.0* | 6.0* | 6.0* | 5.8 | 5.6 | 5.5 | 5.3 |
| | PLVL12H3-300100 290 x 88mm | 6.0* | 6.0* | 6.0* | 6.0* | 6.0* | 6.0* | 6.0* | 6.0* | 6.0* |
| | PLVL12H3-150125 140 x 112mm | 5.0 | 4.6 | 4.3 | 4.1 | 3.9 | 3.7 | 3.6 | 3.5 | 3.4 |
| | PLVL12H3-200125 190 x 112mm | 6.0* | 6.0* | 5.7 | 5.4 | 5.2 | 5.0 | 4.8 | 4.7 | 4.5 |
| | PLVL12H3-250125 240 x 112mm | 6.0* | 6.0* | 6.0* | 6.0* | 6.0* | 6.0* | 6.0* | 5.8 | 5.7 |
| | PLVL12H3-300125 290 x 112mm | 6.0* | 6.0* | 6.0* | 6.0* | 6.0* | 6.0* | 6.0* | 6.0* | 6.0* |
| | PLVL12H3-150150 140 x 135mm | 5.2 | 4.8 | 4.5 | 4.3 | 4.1 | 3.9 | 3.8 | 3.7 | 3.5 |
| | PLVL12H3-200150 190 x 135mm | 6.0* | 6.0* | 5.9 | 5.7 | 5.4 | 5.2 | 5.1 | 4.9 | 4.8 |
| | PLVL12H3-250150 240 x 135mm | 6.0* | 6.0* | 6.0* | 6.0* | 6.0* | 6.0* | 6.0* | 6.0* | 5.9 |
| | PLVL12H3-300150 290 x 135mm | 6.0* | 6.0* | 6.0* | 6.0* | 6.0* | 6.0* | 6.0* | 6.0* | 6.0* |

*The beam lengths have been limited to a maximum of 6m.

These span tables apply only to Prolam products

Selection Charts

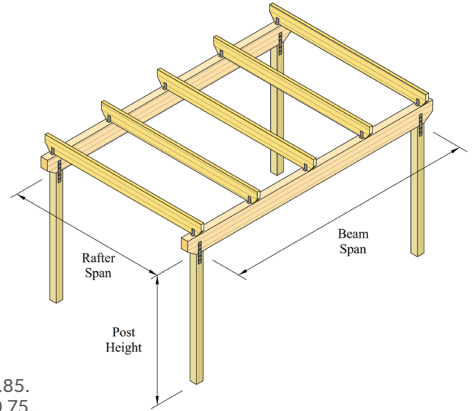


Table 3

PL8 Prolam® Pergola Rafters

Tables are for wind zones up to High.

For Very High wind zone, multiply the maximum beam spans by 0.85.

For Extra High wind zone, multiply the maximum beam spans by 0.75.

| Rafter Spacing (mm) | | 600 | 750 | 900 | 1000 | 1200 | |
|---------------------|----------------|-------------------------|------|------|------|------|------|
| Rafter Size | | Maximum Rafter Span (m) | | | | | |
| PL8 | PLVL8H3-10050 | 88 x 42mm | 1.1 | 1.1 | 1.1 | 1.1 | 1.1 |
| | PLVL8H3-15050 | 140 x 42mm | 2.7 | 2.7 | 2.6 | 2.6 | 2.6 |
| | PLVL8H3-20050 | 190 x 42mm | 4.4 | 4.3 | 4.3 | 4.2 | 4.1 |
| | PLVL8H3-25050 | 240 x 42mm | 6.0* | 5.9 | 5.8 | 5.5 | 5 |
| | PLVL8H3-30050 | 290 x 42mm | 6.0* | 6.0* | 6.0* | 6.0* | 5.8 |
| | PLVL8H3-10075 | 88 x 63mm | 1.7 | 1.6 | 1.6 | 1.6 | 1.6 |
| | PLVL8H3-15075 | 140 x 63mm | 4 | 3.9 | 3.9 | 3.8 | 3.7 |
| | PLVL8H3-20075 | 190 x 63mm | 5.9 | 5.7 | 5.5 | 5.4 | 5.2 |
| | PLVL8H3-25075 | 240 x 63mm | 6.0* | 6.0* | 6.0* | 6.0* | 6.0* |
| | PLVL8H3-100100 | 88 x 88mm | 2.3 | 2.3 | 2.2 | 2.2 | 2.2 |
| | PLVL8H3-150100 | 140 x 88mm | 4.8 | 4.7 | 4.5 | 4.4 | 4.2 |
| | PLVL8H3-200100 | 190 x 88mm | 6.0* | 6.0* | 5.9 | 5.8 | 5.6 |
| | PLVL8H3-240100 | 240 x 88mm | 6.0* | 6.0* | 6.0* | 6.0* | 6.0* |

*The beam lengths have been limited to a maximum of 6m.

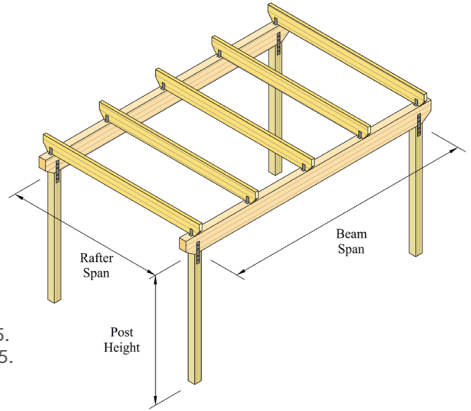
These span tables apply only to Prolam products

Selection Charts

Table 4

PL12 Prolam® Pergola Rafters

Tables are for wind zones up to High.
 For Very High wind zone, multiply the maximum beam spans by 0.85.
 For Extra High wind zone, multiply the maximum beam spans by 0.75.



| Rafter Spacing (mm) | | 600 | 750 | 900 | 1000 | 1200 |
|---------------------|-------------------------------|-------------------------|------|------|------|------|
| Rafter Size | | Maximum Rafter Span (m) | | | | |
| PL12 | PLVL12H3-10050 88 x 42mm | 1.5 | 1.4 | 1.4 | 1.4 | 1.4 |
| | PLVL12H3-15050 140 x 42mm | 3.5 | 3.4 | 3.4 | 3.4 | 3.3 |
| | PLVL12H3-20050 190 x 42mm | 5.6 | 5.5 | 5.4 | 5.2 | 4.7 |
| | PLVL12H3-25050 240 x 42mm | 6.0* | 6.0* | 6.0* | 6.0* | 5.8 |
| | PLVL12H3-30050 290 x 42mm | 6.0* | 6.0* | 6.0* | 6.0* | 6.0* |
| | PLVL12H3-10075 88 x 63mm | 2.2 | 2.2 | 2.1 | 2.1 | 2.1 |
| | PLVL12H3-15075 140 x 63mm | 5.1 | 4.9 | 4.7 | 4.6 | 4.4 |
| | PLVL12H3-20075 190 x 63mm | 6.0* | 6.0* | 6.0* | 6.0* | 5.9 |
| | PLVL12H3-25075 240 x 63mm | 6.0* | 6.0* | 6.0* | 6.0* | 6.0* |
| | PLVL12H3-100100 88 x 88mm | 3 | 2.9 | 2.9 | 2.9 | 2.8 |
| | PLVL12H3-150100 140 x 88mm | 5.4 | 5.2 | 5.1 | 5 | 4.8 |
| | PLVL12H3-200100 190 x 88mm | 6.0* | 6.0* | 6.0* | 6.0* | 6.0* |

*The beam lengths have been limited to a maximum of 6m.

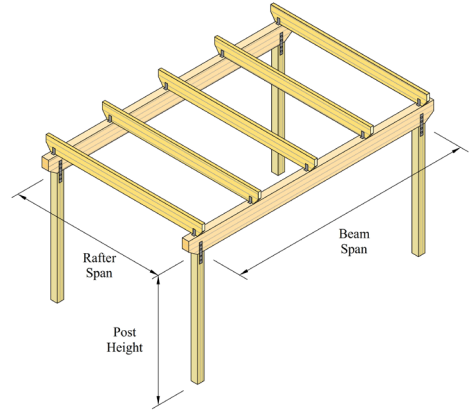
These span tables apply only to Prolam products

Selection Charts

Table 5

Prolam® Pergola Posts

Post to beam fixing is for lateral loads. Vertical (bearing) loads may require additional capacity. Footing depth is into Good Ground as defined by NZS3604



| Size | Height (m) | Maximum Roof Area Per Post (m ²) | Footing Depth (m) | Footing Diameter (mm) | Post to beam Fixing (kN) |
|-----------------------|------------|--|-------------------|-----------------------|--------------------------|
| PLP8H5-100 88x88 | 1.8 | 3.3 | 0.7 | 300 | 1 |
| | 2.1 | 2.9 | 0.7 | 300 | 1 |
| | 2.4 | 2.6 | 0.7 | 300 | 1 |
| PLP8H5-125 112x112 | 1.8 | 6.1 | 1 | 450 | 1.5 |
| | 2.1 | 5.5 | 1 | 450 | 1.5 |
| | 2.4 | 5.0 | 1 | 450 | 1 |
| | 2.7 | 4.5 | 1 | 450 | 1 |
| PLP8H5-150 135x135 | 3 | 4.2 | 1 | 450 | 1 |
| | 1.8 | 10.7 | 1 | 450 | 2.5 |
| | 2.1 | 9.6 | 1 | 450 | 2 |
| | 2.4 | 8.7 | 1 | 450 | 2 |
| | 2.7 | 8.0 | 1 | 450 | 2 |
| PLP8H5-200 180x180 | 3 | 7.3 | 1 | 450 | 1.5 |
| | 1.8 | 25.4 | 1.2 | 450 | 5.5 |
| | 2.1 | 22.8 | 1.2 | 450 | 5 |
| | 2.4 | 20.6 | 1.2 | 450 | 4.5 |
| | 2.7 | 18.9 | 1.2 | 450 | 4 |
| PLP8H5-250 220x220 | 3 | 17.4 | 1.2 | 450 | 3.5 |
| | 1.8 | 42.6 | 1.5 | 600 | 9 |
| | 2.1 | 38.5 | 1.5 | 600 | 8 |
| | 2.4 | 35.1 | 1.5 | 600 | 7.5 |
| | 2.7 | 32.3 | 1.5 | 600 | 6.5 |
| | 3 | 29.9 | 1.5 | 600 | 6 |

| Size | Height (m) | Maximum Roof Area Per Post (m ²) | Footing Depth (m) | Footing Diameter (mm) | Post to beam Fixing (kN) |
|------------------------|------------|--|-------------------|-----------------------|--------------------------|
| PLP12H5-100 88x88 | 1.8 | 4.3 | 0.8 | 300 | 1 |
| | 2.1 | 3.8 | 0.8 | 300 | 1 |
| | 2.4 | 3.4 | 0.8 | 300 | 1 |
| PLP12H5-125 112x112 | 1.8 | 8.1 | 1 | 450 | 2 |
| | 2.1 | 7.2 | 1 | 450 | 1.5 |
| | 2.4 | 6.5 | 1 | 450 | 1.5 |
| | 2.7 | 6.0 | 1 | 450 | 1.5 |
| | 3 | 5.5 | 1 | 450 | 1.5 |
| PLP12H5-150 135x135 | 1.8 | 14.1 | 1.1 | 450 | 3 |
| | 2.1 | 12.7 | 1.1 | 450 | 3 |
| | 2.4 | 11.5 | 1.1 | 450 | 2.5 |
| | 2.7 | 10.5 | 1.1 | 450 | 2.5 |
| | 3 | 9.6 | 1.1 | 450 | 2 |
| PLP12H5-200 180x180 | 1.8 | 33.4 | 1.3 | 450 | 7 |
| | 2.1 | 29.9 | 1.3 | 450 | 6 |
| | 2.4 | 27.1 | 1.3 | 450 | 5.5 |
| | 2.7 | 24.8 | 1.3 | 450 | 5 |
| PLP12H5-250 220x220 | 3 | 22.8 | 1.3 | 450 | 5 |
| | 1.8 | 56.0 | 1.6 | 600 | 11.5 |
| | 2.1 | 50.6 | 1.6 | 600 | 10.5 |
| | 2.4 | 46.2 | 1.6 | 600 | 9.5 |
| | 2.7 | 42.5 | 1.6 | 600 | 8.5 |
| 3 | 39.3 | 1.6 | 600 | 8 | |

These span tables apply only to Prolam products