

Selection Charts

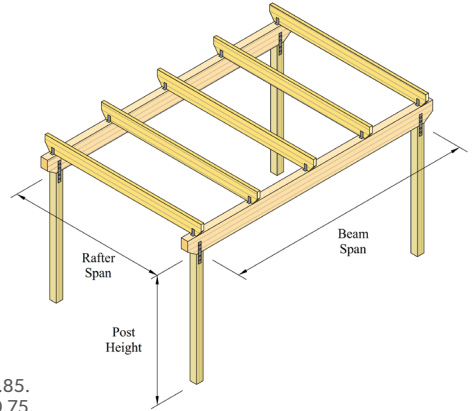


Table 3

PL8 Prolam® Pergola Rafters

Tables are for wind zones up to High.

For Very High wind zone, multiply the maximum beam spans by 0.85.

For Extra High wind zone, multiply the maximum beam spans by 0.75.

Rafter Spacing (mm)		600	750	900	1000	1200	
Rafter Size		Maximum Rafter Span (m)					
PL8	PLVL8H3-10050	88 x 42mm	1.1	1.1	1.1	1.1	1.1
	PLVL8H3-15050	140 x 42mm	2.7	2.7	2.6	2.6	2.6
	PLVL8H3-20050	190 x 42mm	4.4	4.3	4.3	4.2	4.1
	PLVL8H3-25050	240 x 42mm	6.0*	5.9	5.8	5.5	5
	PLVL8H3-30050	290 x 42mm	6.0*	6.0*	6.0*	6.0*	5.8
	PLVL8H3-10075	88 x 63mm	1.7	1.6	1.6	1.6	1.6
	PLVL8H3-15075	140 x 63mm	4	3.9	3.9	3.8	3.7
	PLVL8H3-20075	190 x 63mm	5.9	5.7	5.5	5.4	5.2
	PLVL8H3-25075	240 x 63mm	6.0*	6.0*	6.0*	6.0*	6.0*
	PLVL8H3-100100	88 x 88mm	2.3	2.3	2.2	2.2	2.2
	PLVL8H3-150100	140 x 88mm	4.8	4.7	4.5	4.4	4.2
	PLVL8H3-200100	190 x 88mm	6.0*	6.0*	5.9	5.8	5.6
	PLVL8H3-240100	240 x 88mm	6.0*	6.0*	6.0*	6.0*	6.0*

*The beam lengths have been limited to a maximum of 6m.

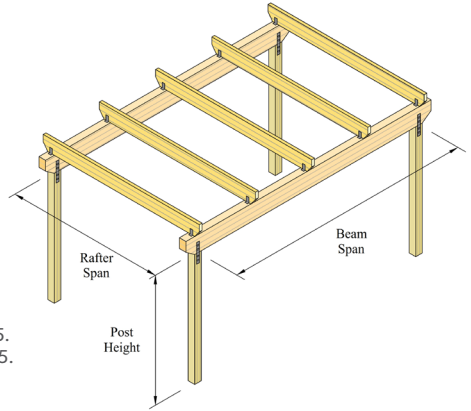
These span tables apply only to Prolam products

Selection Charts

Table 4

PL12 Prolam® Pergola Rafters

Tables are for wind zones up to High.
 For Very High wind zone, multiply the maximum beam spans by 0.85.
 For Extra High wind zone, multiply the maximum beam spans by 0.75.



Rafter Spacing (mm)		600	750	900	1000	1200	
Rafter Size		Maximum Rafter Span (m)					
PL12	PLVL12H3-10050	88 x 42mm	1.5	1.4	1.4	1.4	1.4
	PLVL12H3-15050	140 x 42mm	3.5	3.4	3.4	3.4	3.3
	PLVL12H3-20050	190 x 42mm	5.6	5.5	5.4	5.2	4.7
	PLVL12H3-25050	240 x 42mm	6.0*	6.0*	6.0*	6.0*	5.8
	PLVL12H3-30050	290 x 42mm	6.0*	6.0*	6.0*	6.0*	6.0*
	PLVL12H3-10075	88 x 63mm	2.2	2.2	2.1	2.1	2.1
	PLVL12H3-15075	140 x 63mm	5.1	4.9	4.7	4.6	4.4
	PLVL12H3-20075	190 x 63mm	6.0*	6.0*	6.0*	6.0*	5.9
	PLVL12H3-25075	240 x 63mm	6.0*	6.0*	6.0*	6.0*	6.0*
	PLVL12H3-100100	88 x 88mm	3	2.9	2.9	2.9	2.8
	PLVL12H3-150100	140 x 88mm	5.4	5.2	5.1	5	4.8
	PLVL12H3-200100	190 x 88mm	6.0*	6.0*	6.0*	6.0*	6.0*

*The beam lengths have been limited to a maximum of 6m.

These span tables apply only to Prolam products