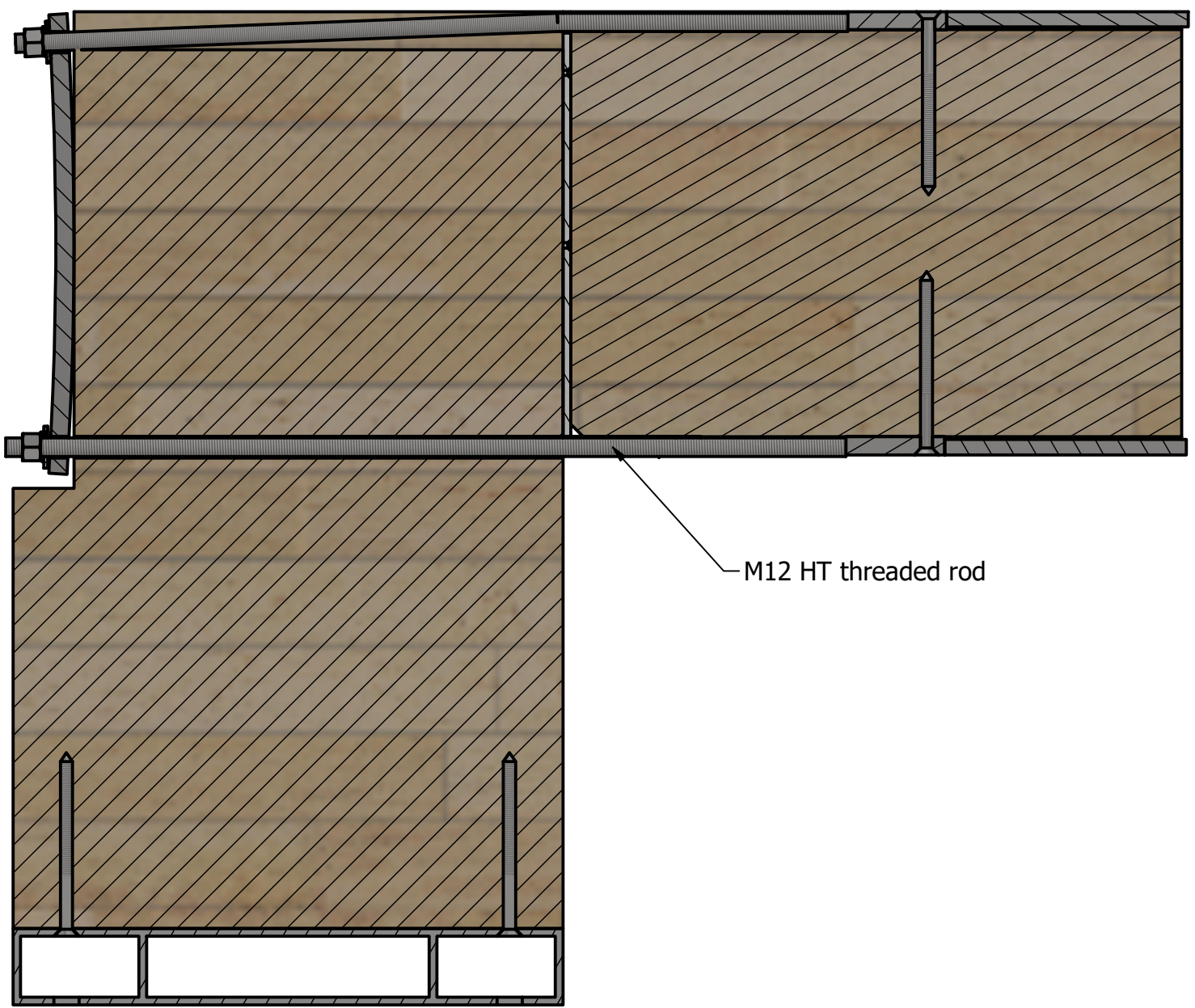
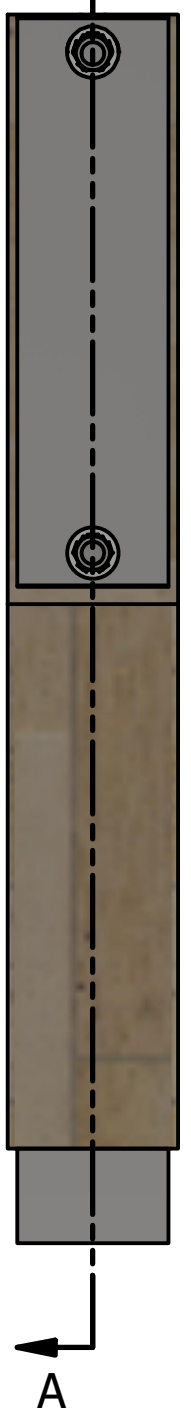
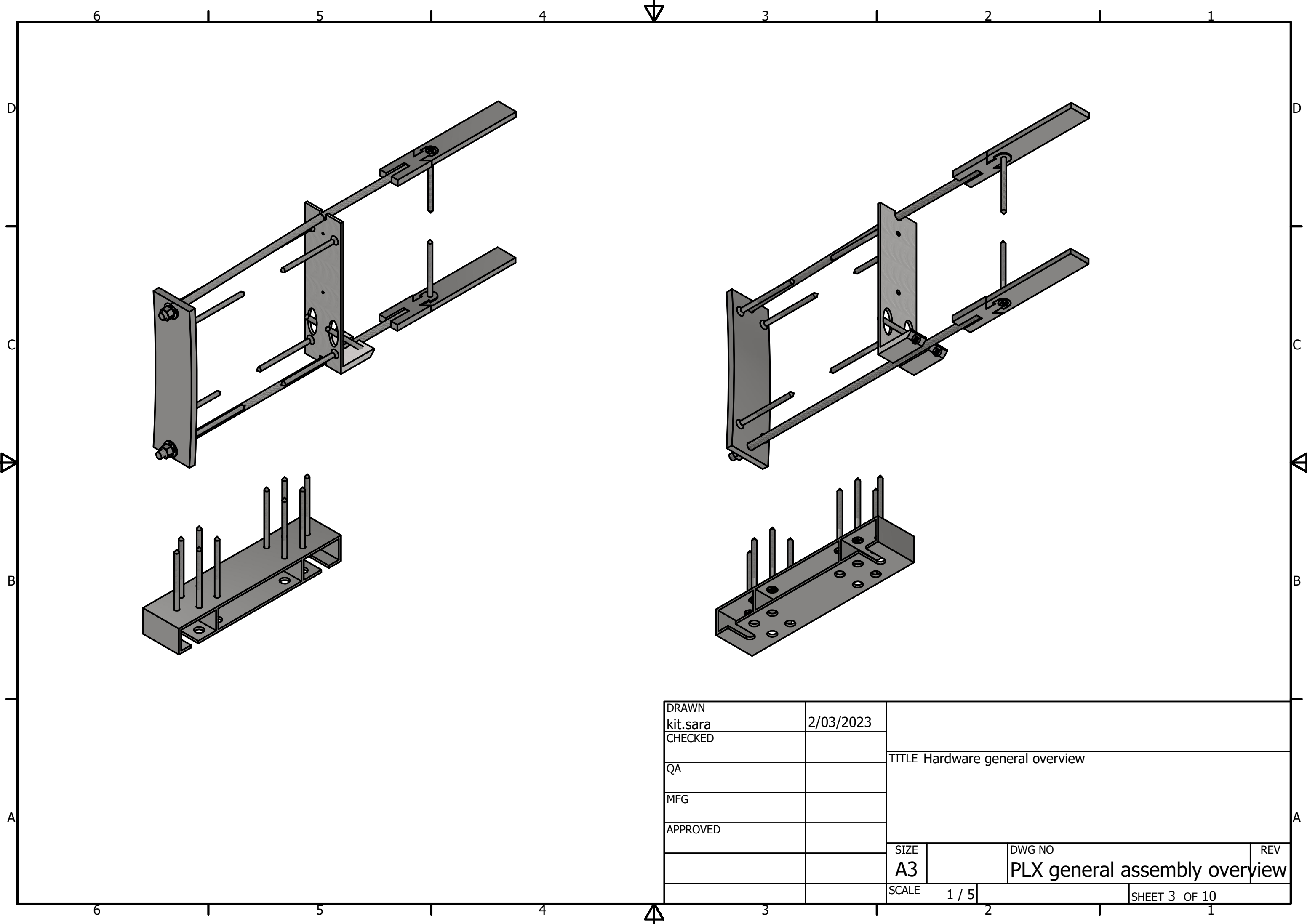


DRAWN	kit.sara	2/03/2023		
CHECKED			TITLE General assembly overview	
QA				
MFG				
APPROVED				
			SIZE	DWG NO
			A3	PLX general assembly overview
			SCALE	REV
			1 / 6	SHEET 1 OF 10

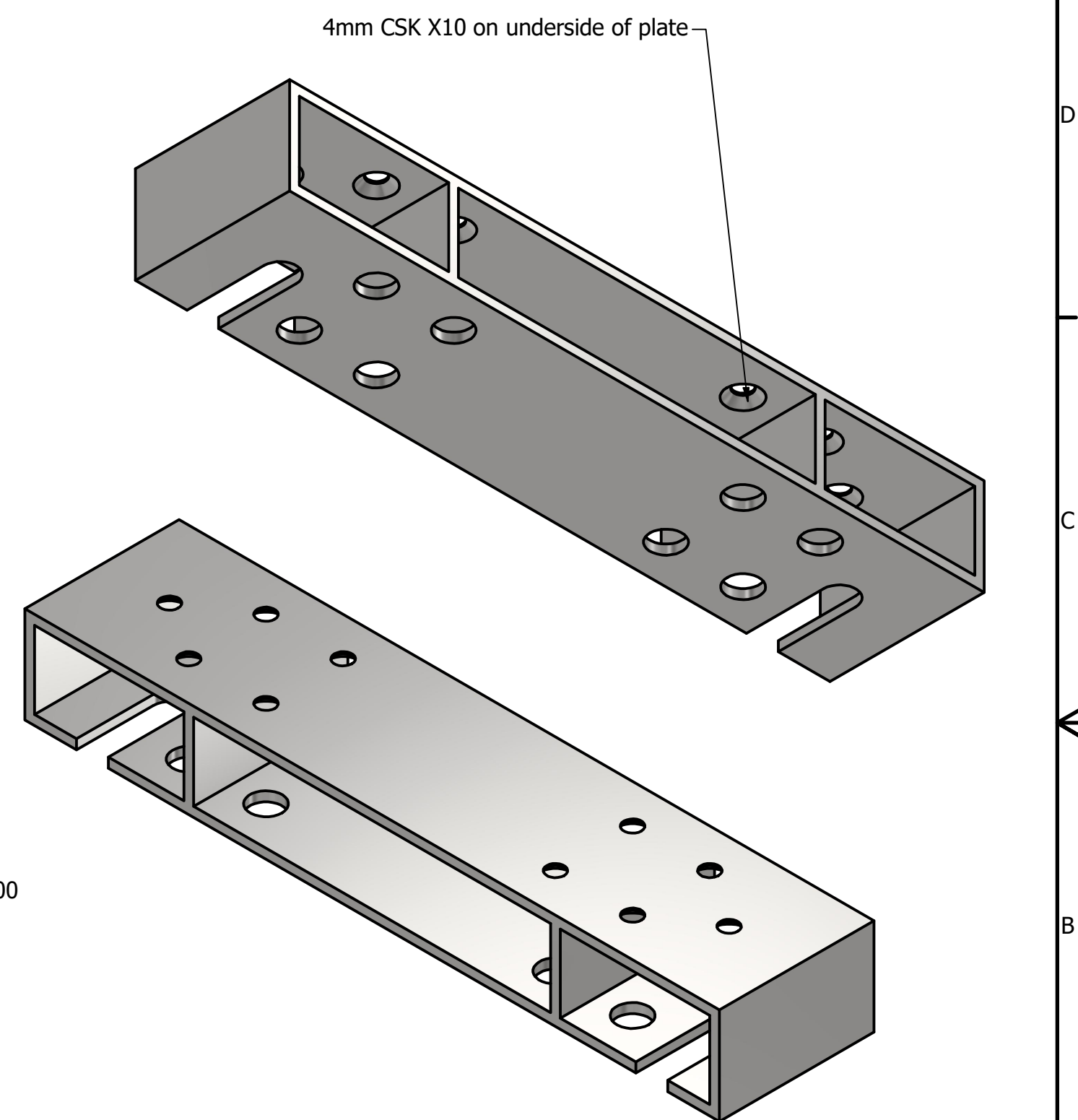
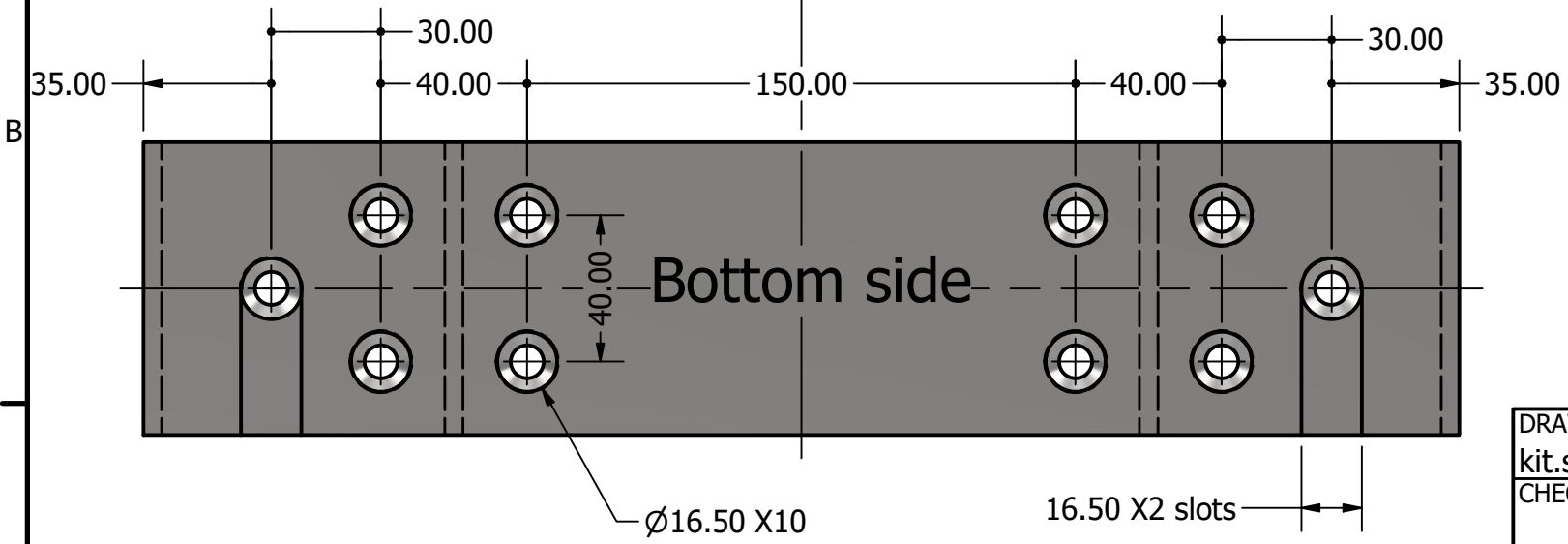
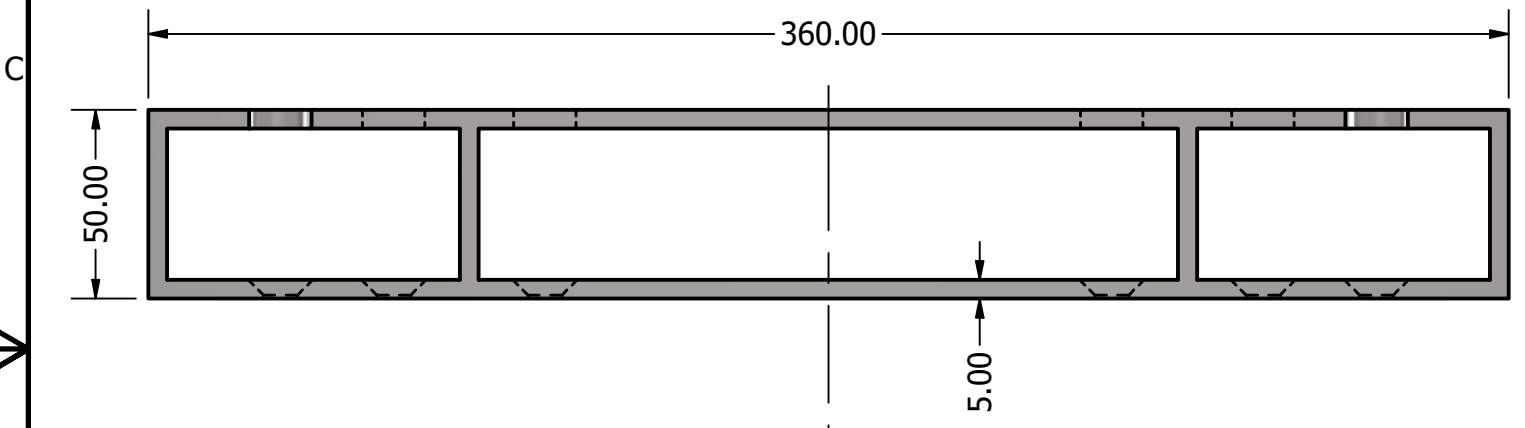
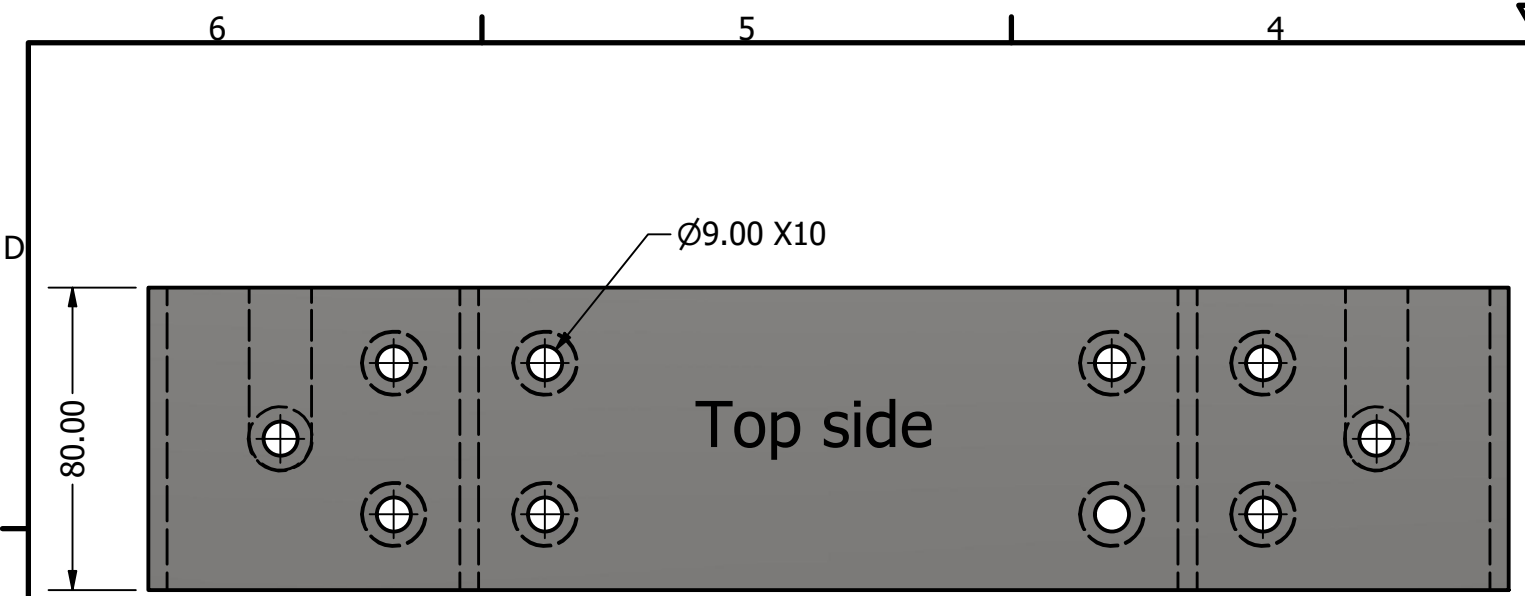


SECTION A-A
SCALE 1 / 4

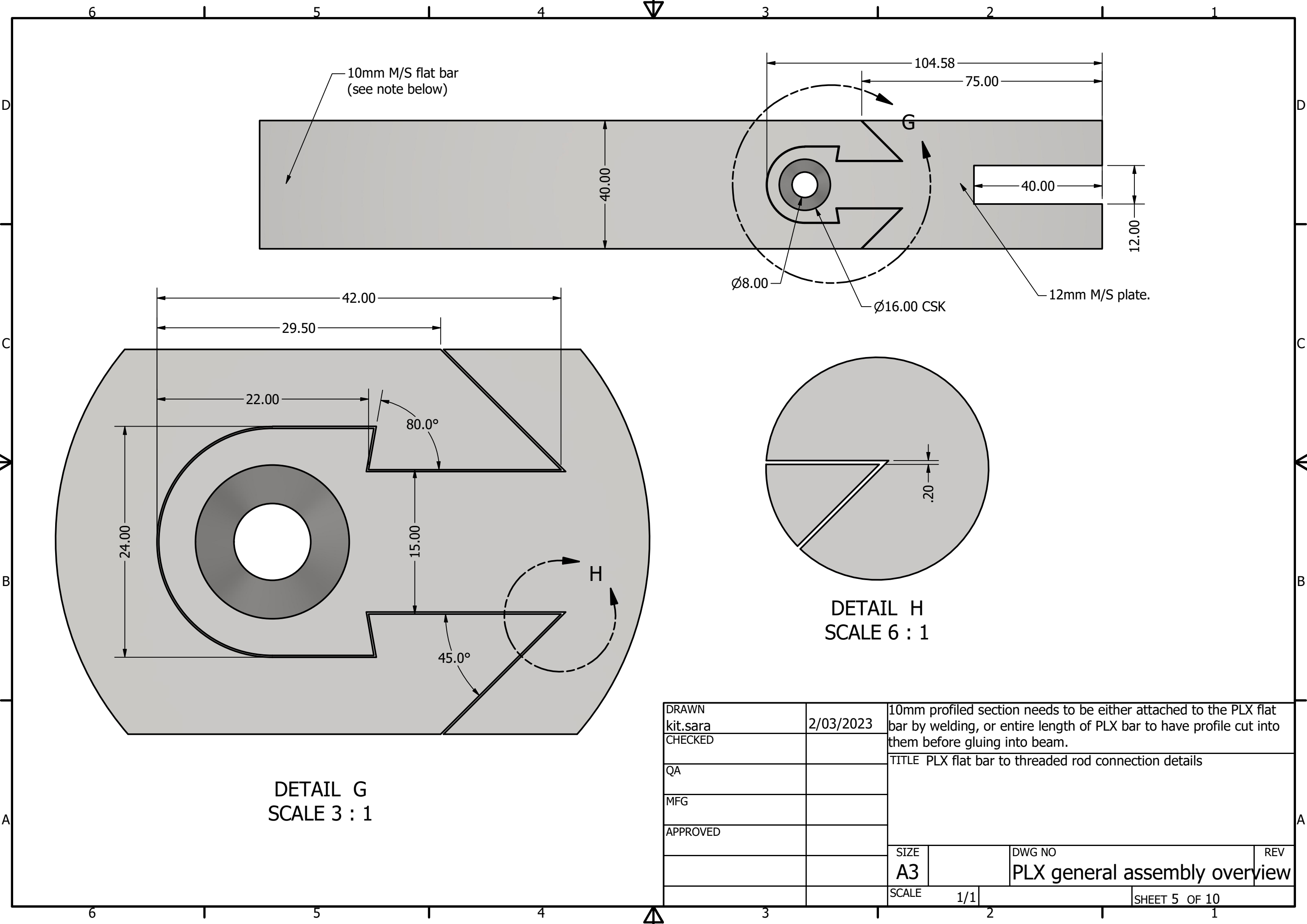
DRAWN kit.sara	2/03/2023		
CHECKED		TITLE Assembly sectional view	
QA			
MFG			
APPROVED			
		SIZE A3	DWG NO PLX general assembly overview
		SCALE 1 / 4	REV SHEET 2 OF 10



DRAWN	kit.sara	2/03/2023		
CHECKED			TITLE Hardware general overview	
QA				
MFG				
APPROVED				
			SIZE	DWG NO
			A3	PLX general assembly overview
			SCALE	REV
			1 / 5	SHEET 3 OF 10



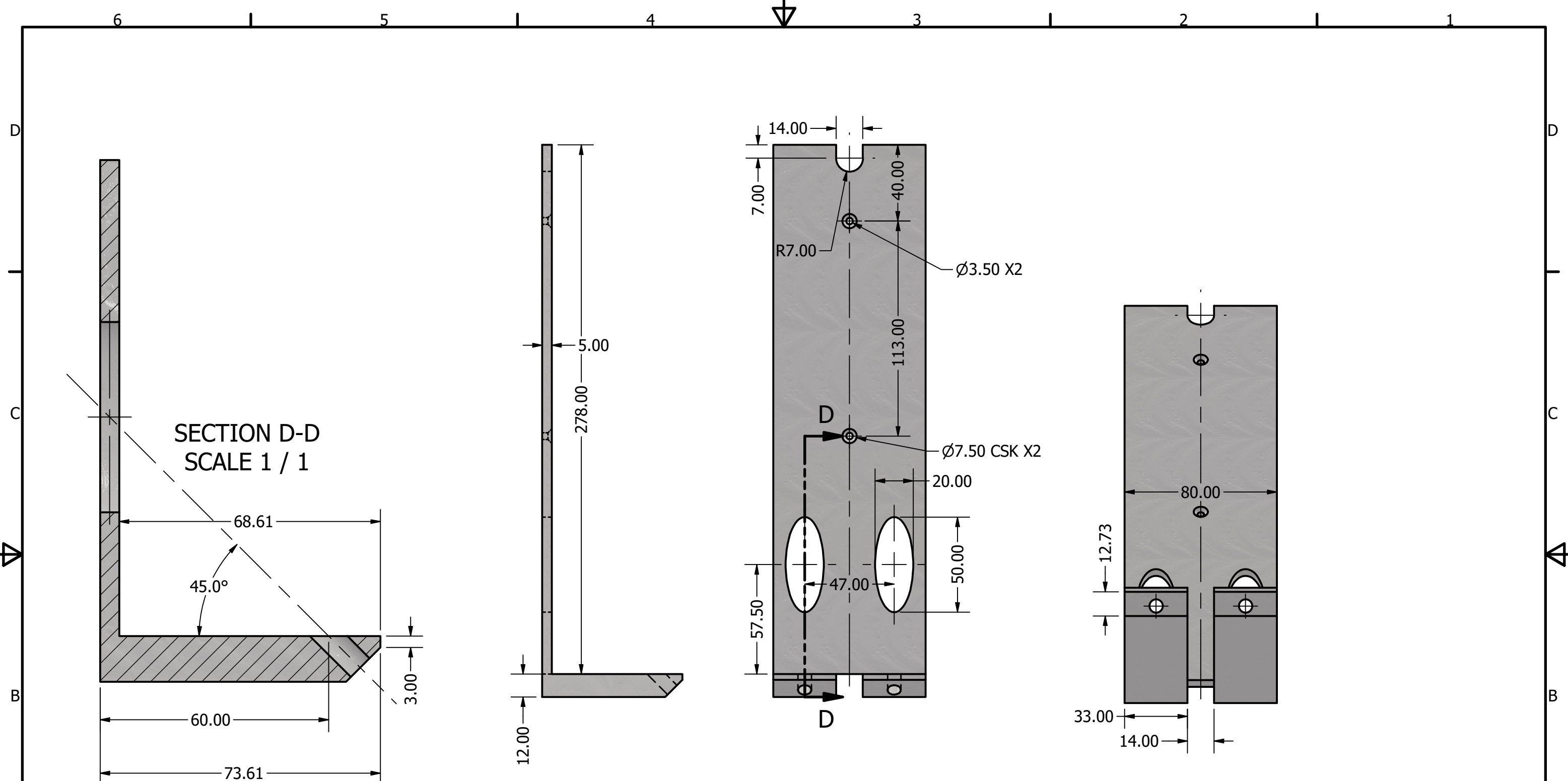
DRAWN kit.sara	2/03/2023	Material: 5mm M/S		
CHECKED		TITLE Slip in foot plate details		
QA				
MFG				
APPROVED				
		SIZE A3	DWG NO PLX general assembly overview	REV
		SCALE 1 / 2	SHEET 4 OF 10	



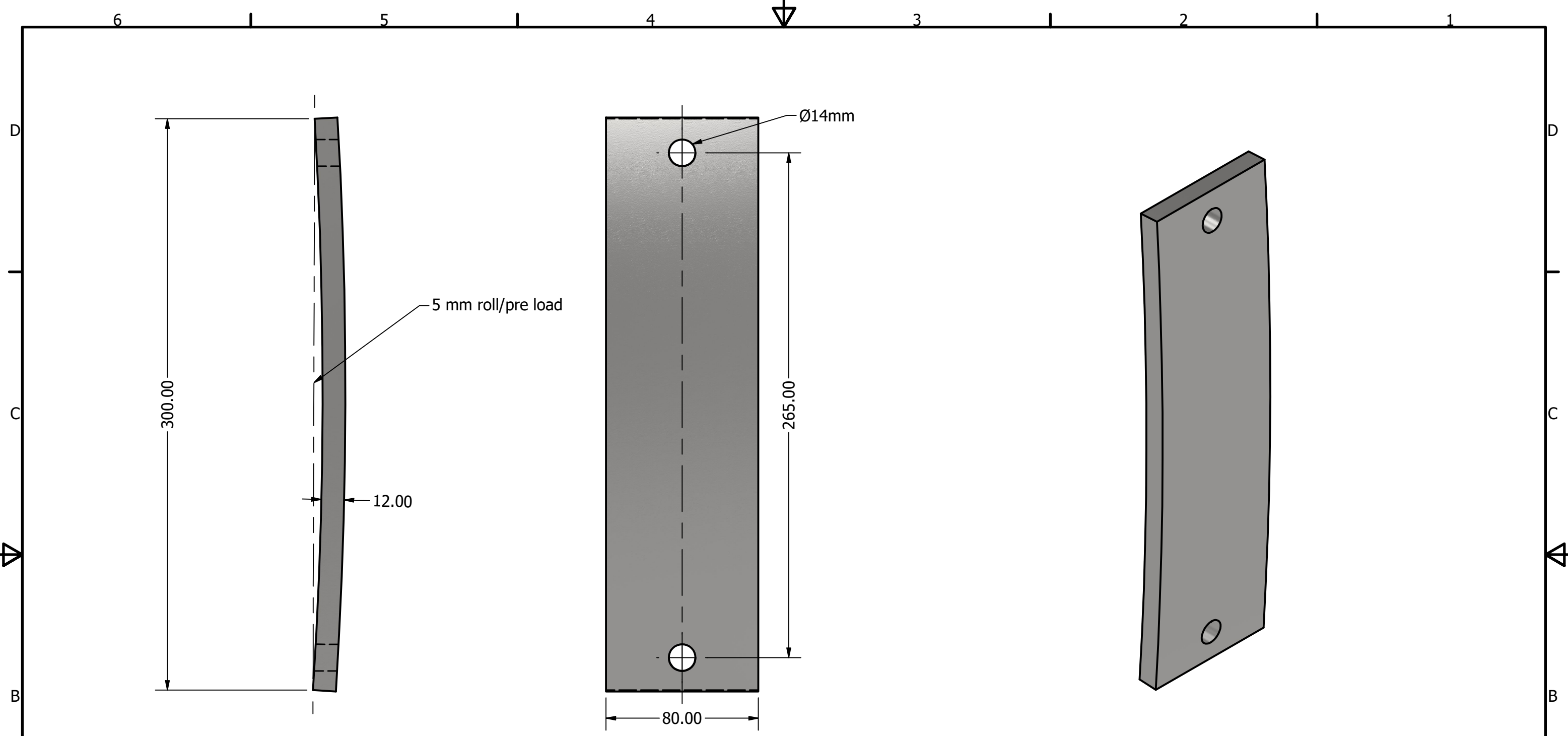
DETAIL G
SCALE 3 : 1

DETAIL H
SCALE 6 : 1

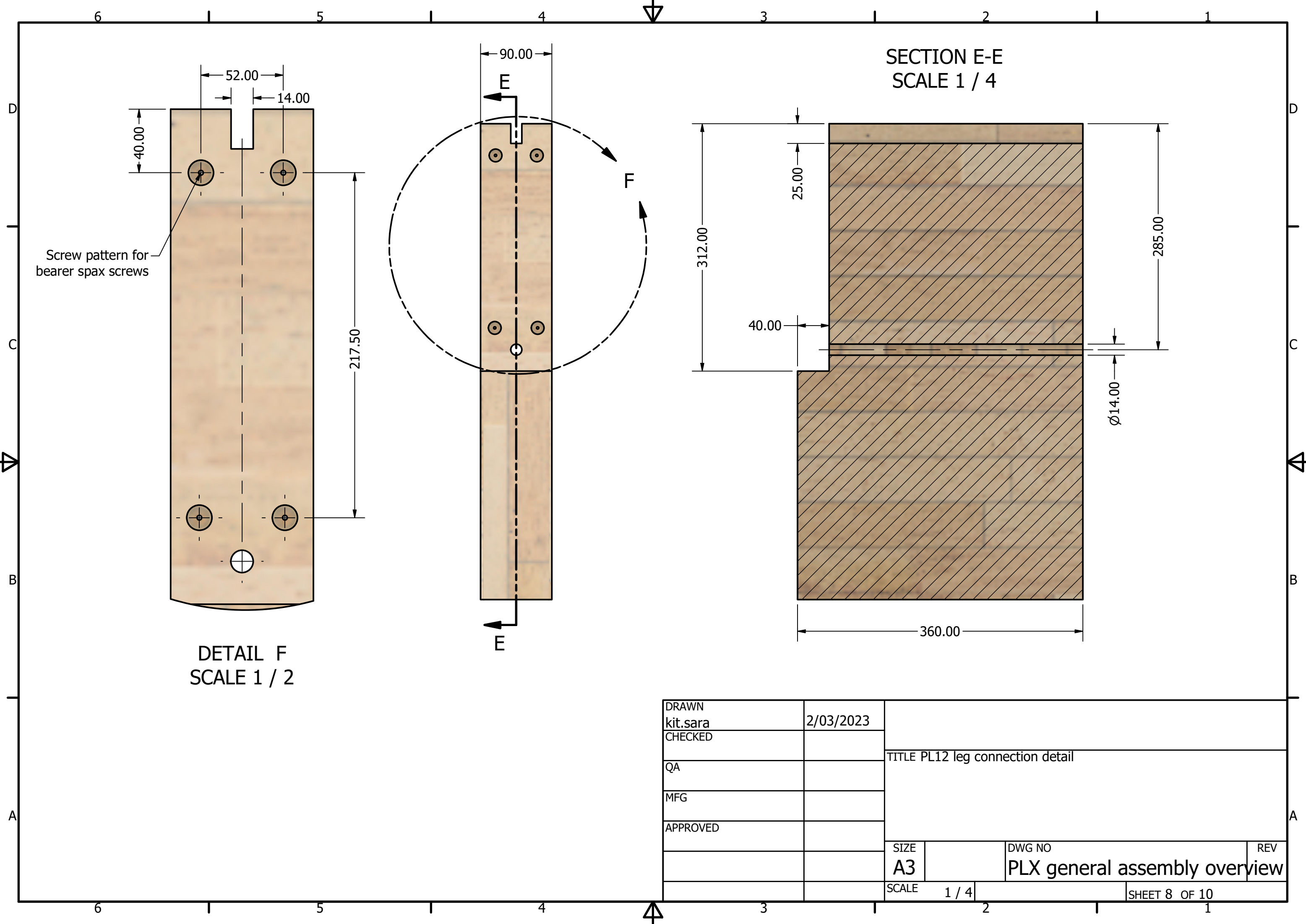
DRAWN	kit.sara	2/03/2023	10mm profiled section needs to be either attached to the PLX flat bar by welding, or entire length of PLX bar to have profile cut into them before gluing into beam.	
CHECKED			TITLE PLX flat bar to threaded rod connection details	
QA				
MFG				
APPROVED				
			SIZE	DWG NO
			A3	PLX general assembly overview
			SCALE	REV
			1/1	
			SHEET 5 OF 10	



DRAWN	kit.sara	2/03/2023	Material: 12mm M/S plate for screw guide and 5mm M/S plate for shear plate.	
CHECKED			TITLE Rebaited shear plate with 45° guide block for uplift screws	
QA				
MFG				
APPROVED				
			SIZE	DWG NO
			A3	PLX general assembly overview
			SCALE	REV
			1 / 2	
			SHEET 6 OF 10	



DRAWN kit.sara	2/03/2023	Material: 12mm M/S plate		
CHECKED		TITLE 12mm preload plate		
QA				
MFG				
APPROVED				
		SIZE A3	DWG NO PLX general assembly overview	REV
		SCALE 1 / 2	SHEET 7 OF 10	

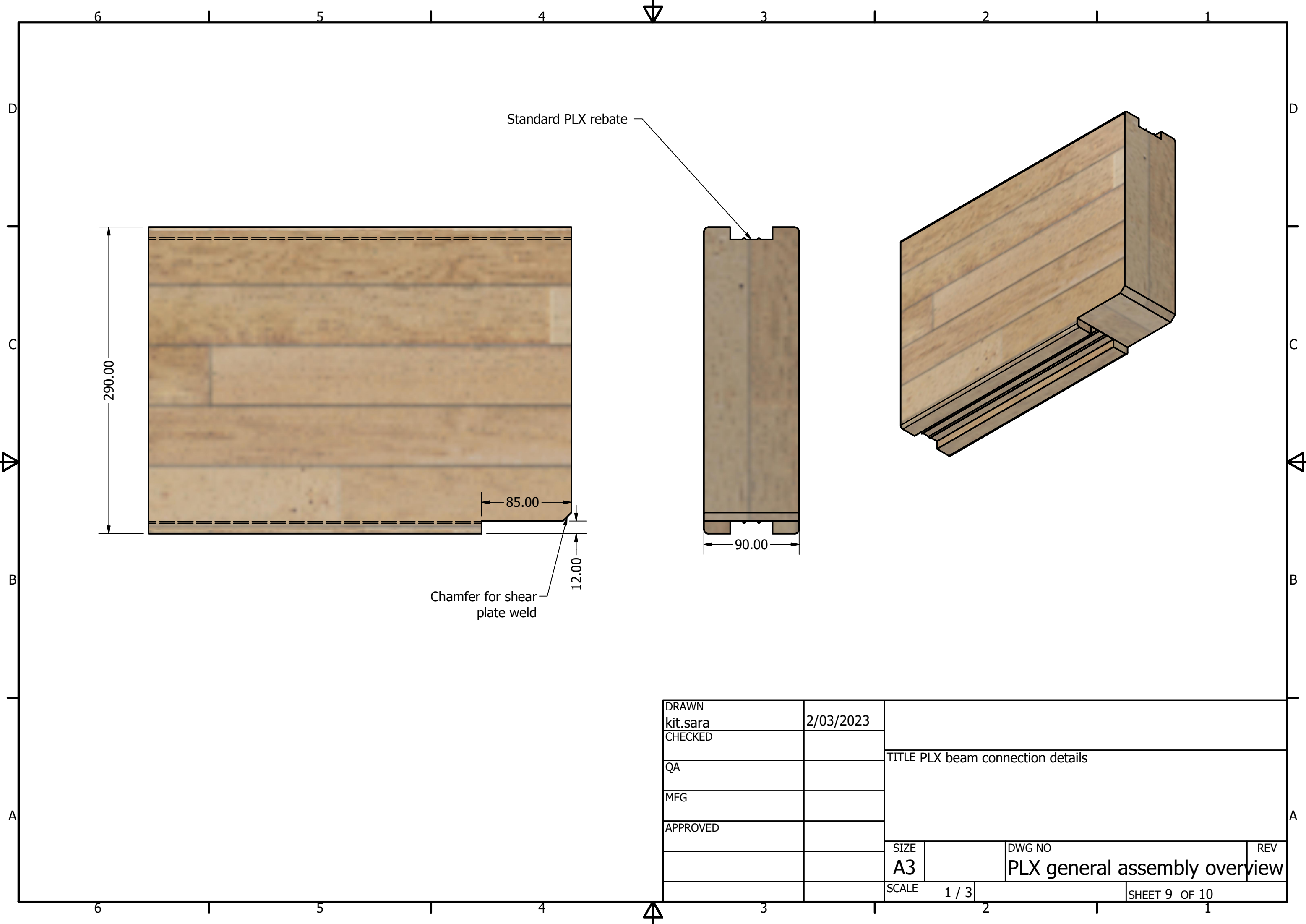


Screw pattern for
bearer spax screws

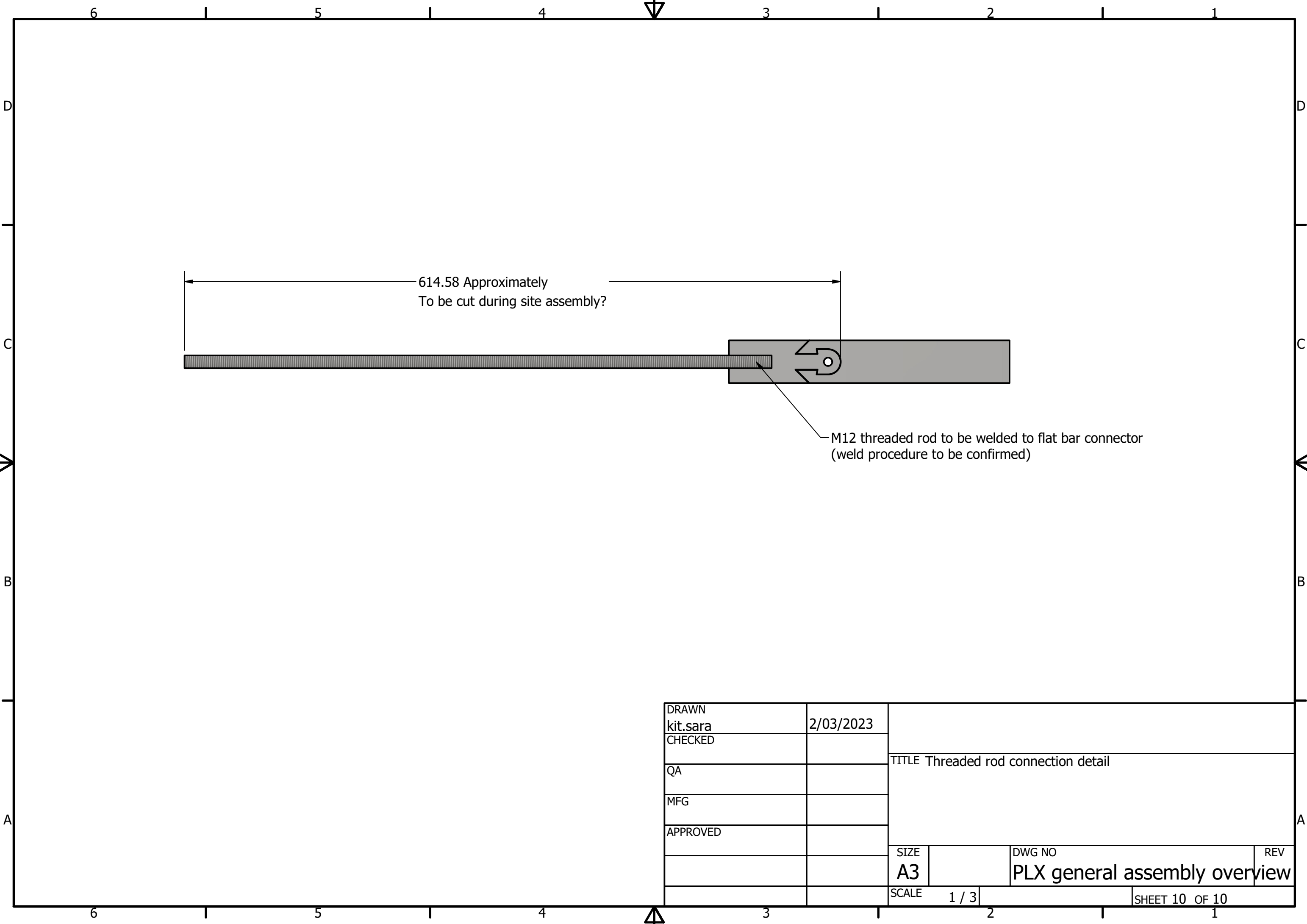
DETAIL F
SCALE 1 / 2

SECTION E-E
SCALE 1 / 4

DRAWN	kit.sara	2/03/2023	TITLE PL12 leg connection detail																	
CHECKED																				
QA																				
MFG																				
APPROVED			<table border="1"> <tr> <td>SIZE</td> <td></td> <td>DWG NO</td> <td></td> <td>REV</td> <td></td> </tr> <tr> <td>A3</td> <td></td> <td colspan="2">PLX general assembly overview</td> <td></td> </tr> <tr> <td>SCALE</td> <td>1 / 4</td> <td colspan="2">SHEET 8 OF 10</td> <td></td> </tr> </table>		SIZE		DWG NO		REV		A3		PLX general assembly overview			SCALE	1 / 4	SHEET 8 OF 10		
SIZE		DWG NO				REV														
A3		PLX general assembly overview																		
SCALE	1 / 4	SHEET 8 OF 10																		



DRAWN	kit.sara	2/03/2023		
CHECKED			TITLE PLX beam connection details	
QA				
MFG				
APPROVED				
		SIZE	DWG NO	REV
		A3	PLX general assembly overview	
		SCALE	1 / 3	SHEET 9 OF 10



614.58 Approximately
To be cut during site assembly?

M12 threaded rod to be welded to flat bar connector
(weld procedure to be confirmed)

DRAWN	kit.sara	2/03/2023		
CHECKED				
QA			TITLE Threaded rod connection detail	
MFG				
APPROVED				
			SIZE	DWG NO
			A3	PLX general assembly overview
			SCALE	REV
			1 / 3	SHEET 10 OF 10